

March 1997

CMOS Manchester Encoder-Decoder

Features

- Support of MIL-STD-1553
- Data Rate1.25 MBIT/s
- Sync Identification and Lock-In
- Clock Recovery
- Manchester II Encode, Decode
- Separate Encode and Decode
- Low Operating Power 50mW at 5V

Ordering Information

| PACKAGE | TEMP. RANGE | 1.25 MEGABIT/s | PKG. NO. |
|---------|-----------------|----------------|----------|
| CERDIP | -40°C to +85°C | HD1-15530-9 | F24.6 |
| | -55°C to +125°C | HD1-15530-8 | |
| | | 7802901JA | |
| CLCC | -40°C to +85°C | HD4-15530-9 | J28.A |
| | -55°C to +125°C | HD4-15530-8 | |
| | | 78029013A | |
| PDIP | -40°C to +85°C | HD3-15530-9 | E24.6 |

Description

The Intersil HD-15530 is a high performance CMOS device intended to service the requirements of MIL-STD-1553 and similar Manchester II encoded, time division multiplexed serial data protocols. This LSI chip is divided into two sections, an Encoder and a Decoder. These sections operate completely independent of each other, except for the Master Reset functions.

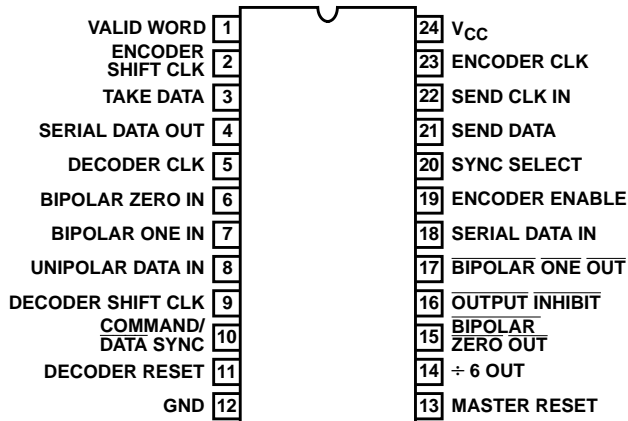
This circuit meets many of the requirements of MIL-STD-1553. The Encoder produces the sync pulse and the parity bit as well as the encoding of the data bits. The Decoder recognizes the sync pulse and identifies it as well as decoding the data bits and checking parity.

This integrated circuit is fully guaranteed to support the 1MHz data rate of MIL-STD-1553 over both temperature and voltage. It interfaces with CMOS, TTL or N channel support circuitry, and uses a standard 5V supply.

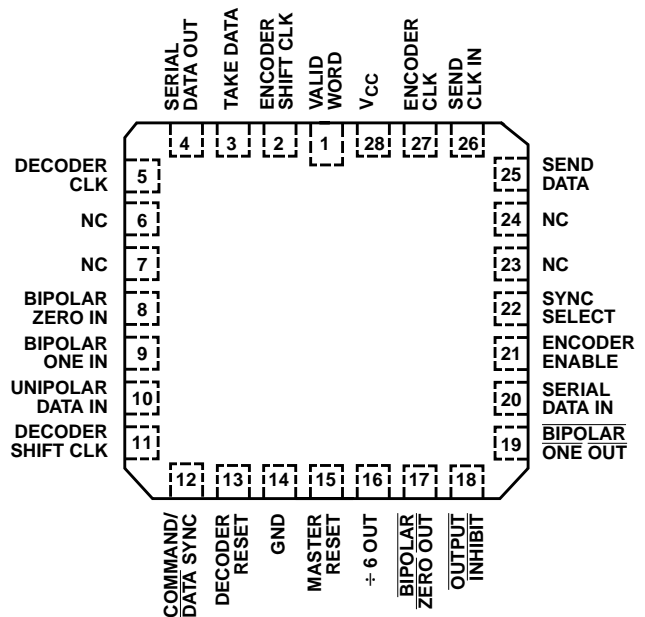
The HD-15530 can also be used in many party line digital data communications applications, such as an environmental control system driven from a single twisted pair cable of fiber optic cable throughout the building.

Pinouts

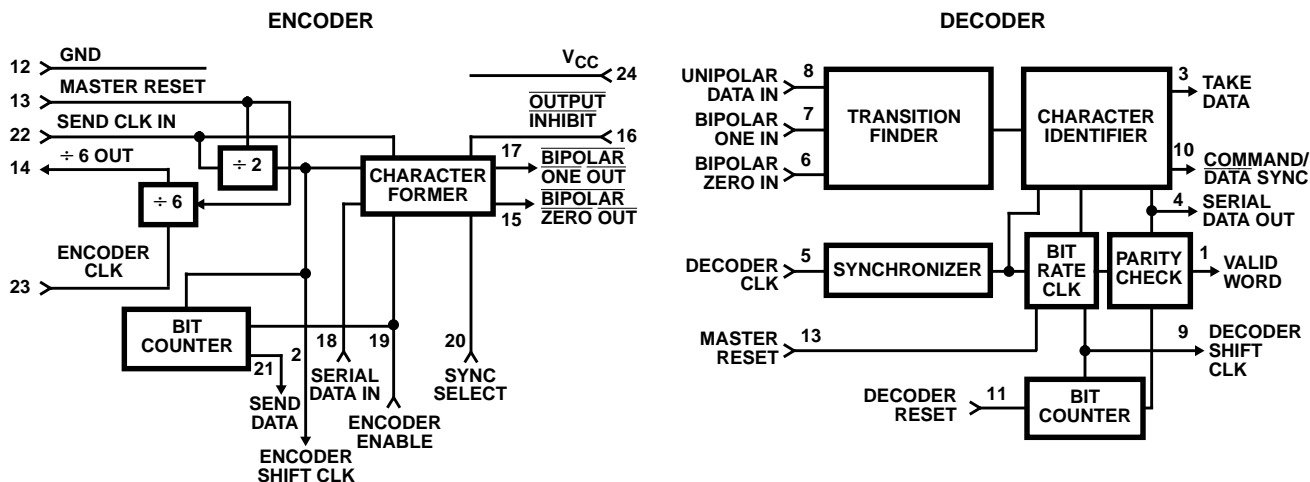
HD-15530 (CERDIP, PDIP)
TOP VIEW



HD-15530 (CLCC)
TOP VIEW



Block Diagrams



Pin Description

| PIN NUMBER | TYPE | NAME | SECTION | DESCRIPTION |
|------------|------|---------------------|---------|---|
| 1 | O | VALID WORD | Decoder | Output high indicates receipt of a valid word, (valid parity and no Manchester errors). |
| 2 | O | ENCODER SHIFT CLOCK | Encoder | Output for shifting data into the Encoder. The Encoder samples SDI on the low-to-high transition of Encoder Shift Clock. |
| 3 | O | TAKE DATA | Decoder | Output is high during receipt of data after identification of a sync pulse and two valid Manchester data bits. |
| 4 | O | SERIAL DATA OUT | Decoder | Delivers received data in correct NRZ format. |
| 5 | I | DECODER CLOCK | Decoder | Input drives the transition finder, and the synchronizer which in turn supplies the clock to the balance of the decoder, input a frequency equal to 12X the data rate. |
| 6 | I | BIPOLAR ZERO IN | Decoder | A high input should be applied when the bus is in its negative state. This pin must be held high when the Unipolar input is used. |
| 7 | I | BIPOLAR ONE IN | Decoder | A high input should be applied when the bus is in its positive state. This pin must be held low when the Unipolar input is used. |
| 8 | I | UNLPOLAR DATA IN | Decoder | With pin 6 high and pin 7 low, this pin enters unipolar data into the transition finder circuit. If not used this input must be held low. |
| 9 | O | DECODER SHIFT CLOCK | Decoder | Output which delivers a frequency (DECODER CLOCK ÷ 12), synchronized by the recovered serial data stream. |
| 10 | O | COMMAND SYNC | Decoder | Output of a high from this pin occurs during output of decoded data which was preceded by a Command (or Status) synchronizing character. A low output indicates a Data synchronizing character. |
| 11 | I | DECODER RESET | Decoder | A high input to this pin during a rising edge of DECODER SHIFT CLOCK resets the decoder bit counting logic to a condition ready for a new word. |
| 12 | I | GROUND | Both | Ground Supply pin. |
| 13 | I | MASTER RESET | Both | A high on this pin clears 2:1 counters in both Encoder and Decoder, and resets the ÷ 6 circuit. |
| 14 | O | ÷ 6 OUT | Encoder | Output from 6:1 divider which is driven by the ENCODER CLOCK. |
| 15 | O | BIPOLAR ZERO OUT | Encoder | An active low output designed to drive the zero or negative sense of a bipolar line driver. |
| 16 | I | OUTPUT INHIBIT | Encoder | A low on this pin forces pin 15 and 17 high, the inactive states. |
| 17 | O | BIPOLAR ONE OUT | Encoder | An active low output designed to drive the one or positive sense of a bipolar line driver. |

Pin Description (Continued)

| PIN NUMBER | TYPE | NAME | SECTION | DESCRIPTION |
|------------|------|-----------------|---------|--|
| 18 | I | SERIAL DATA IN | Encoder | Accepts a serial data stream at a data rate equal to ENCODER SHIFT CLOCK. |
| 19 | I | ENCODER ENABLE | Encoder | A high on this pin initiates the encode cycle. (Subject to the preceding cycle being complete.) |
| 20 | I | SYNC SELECT | Encoder | Actuates a Command sync for an input high and Data sync for an input low. |
| 21 | O | SEND DATA | Encoder | An active high output which enables the external source of serial data. |
| 22 | I | SEND CLOCK IN | Encoder | Clock input at a frequency equal to the data rate X2, usually driven by ± 6 output. |
| 23 | I | ENCODER CLOCK | Encoder | Input to the 6:1 divider, a frequency equal to the data rate X12 is usually input here. |
| 24 | I | V _{CC} | Both | V _{CC} is the +5V power supply pin. A 0.1 μ F decoupling capacitor from V _{CC} (pin 24) to GROUND (pin 12) is recommended. |

I = Input O = Output

Encoder Operation

The Encoder requires a single clock with a frequency of twice the desired data rate applied at the SEND CLOCK input. An auxiliary divide by six counter is provided on chip which can be utilized to produce the SEND CLOCK by dividing the DECODER CLOCK.

The Encoder's cycle begins when ENCODER ENABLE is high during a falling edge of ENCODER SHIFT CLOCK (1). This cycle lasts for one word length or twenty ENCODER SHIFT CLOCK periods. At the next low-to-high transition of the ENCODER SHIFT CLOCK, a high SYNC SELECT input actuates a command sync or a low will produce a data sync for the word (2). When the Encoder is ready to accept data, the SEND DATA output will go high and remain high for sixteen ENCODER SHIFT CLOCK periods (3). During these sixteen periods the data should be clocked into the SERIAL DATA input with every high-to-low transition of the

ENCODER SHIFT CLOCK so it can be sampled on the low-to-high transition (3) - (4). After the sync and Manchester II coded data are transmitted through the BIPOLAR ONE and BIPOLAR ZERO outputs, the Encoder adds on an additional bit which is the parity for that word (5). If ENCODER ENABLE is held high continuously, consecutive words will be encoded without an interframe gap. ENCODER ENABLE must go low by time (5) as shown to prevent a consecutive word from being encoded. At any time a low on OUTPUT INHIBIT input will force both bipolar outputs to a high state but will not affect the Encoder in any other way.

To abort the Encoder transmission a positive pulse must be applied at MASTER RESET. Anytime after or during this pulse, a low-to-high transition on SEND CLOCK clears the internal counters and initializes the Encoder for a new word.

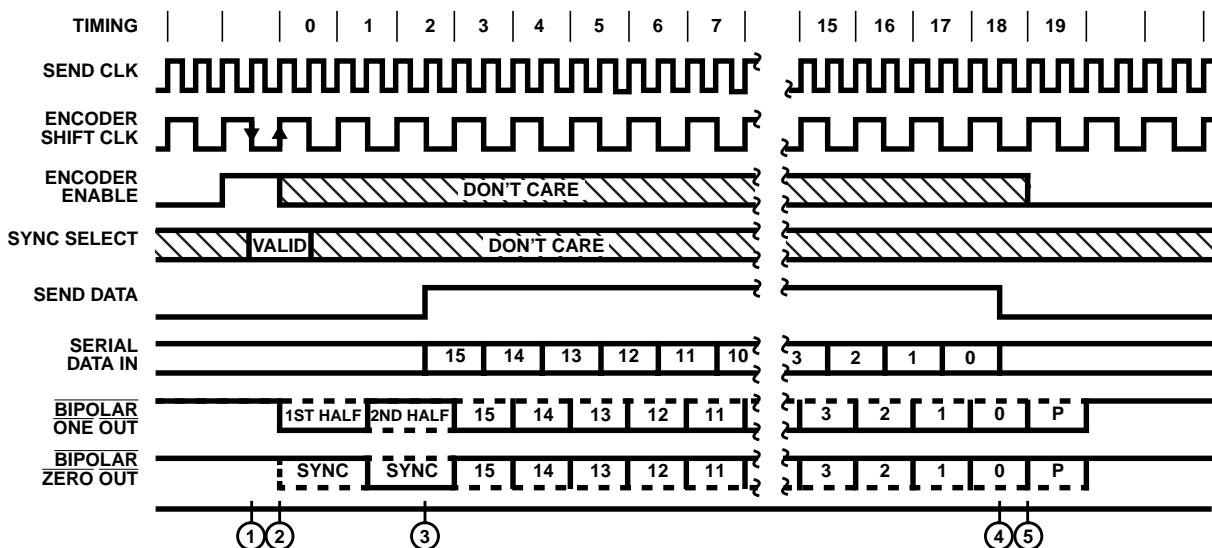


FIGURE 1.

Decoder Operation

The Decoder requires a single clock with a frequency of 12 times the desired data rate applied at the DECODER CLOCK input. The Manchester II coded data can be presented to the Decoder in one of two ways. The BIPOLAR ONE and BIPOLAR ZERO inputs will accept data from a comparator sensed transformer coupled bus as specified in Military Spec 1553. The UNIPOLAR DATA input can only accept non-inverted Manchester II coded data. (e.g. from BIPOLAR ONE OUT of an Encoder through an inverter to Unipolar Data Input).

The Decoder is free running and continuously monitors its data input lines for a valid sync character and two valid Manchester data bits to start an output cycle. When a valid sync is recognized (1), the type of sync is indicated on COMMAND/DATA SYNC output. If the sync character was a command sync, this output will go high (2) and remain high for sixteen DECODER SHIFT CLOCK periods (3), otherwise it will remain low. The TAKE DATA output will go high and remain high (2) - (3) while the Decoder is transmitting the decoded data through SERIAL DATA OUT. The decoded

data available at SERIAL DATA OUT is in NRZ format. The DECODER SHIFT CLOCK is provided so that the decoded bits can be shifted into an external register on every low-to-high transition of this clock (2) - (3). Note that DECODER SHIFT CLOCK may adjust its phase up until the time that TAKE DATA goes high.

After all sixteen decoded bits have been transmitted (3) the data is checked for odd parity. A high on VALID WORD output (4) indicates a successful reception of a word without any Manchester or parity errors. At this time the Decoder is looking for a new sync character to start another output sequence. VALID WORD will go low approximately 20 DECODER SHIFT CLOCK periods after it goes high if not reset low sooner by a valid sync and two valid Manchester bits as shown (1).

At any time in the above sequence a high input on DECODER RESET during a low-to-high transition of DECODER SHIFT CLOCK will abort transmission and initialize the Decoder to start looking for a new sync character.

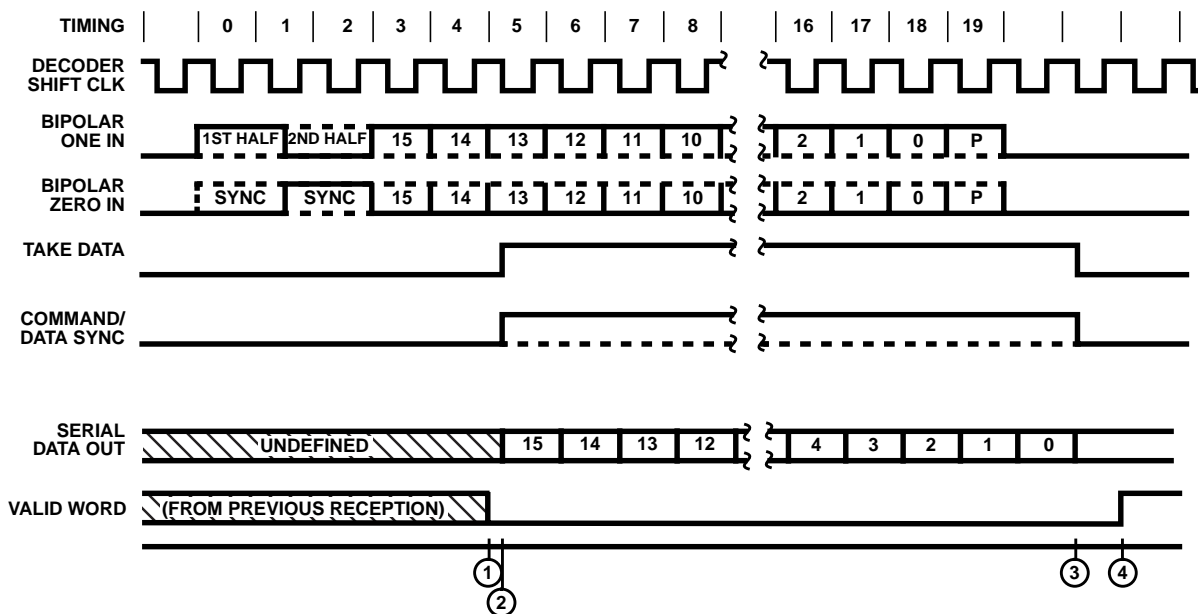


FIGURE 2.

How to Make Our MTU Look Like a Manchester Encoded UART

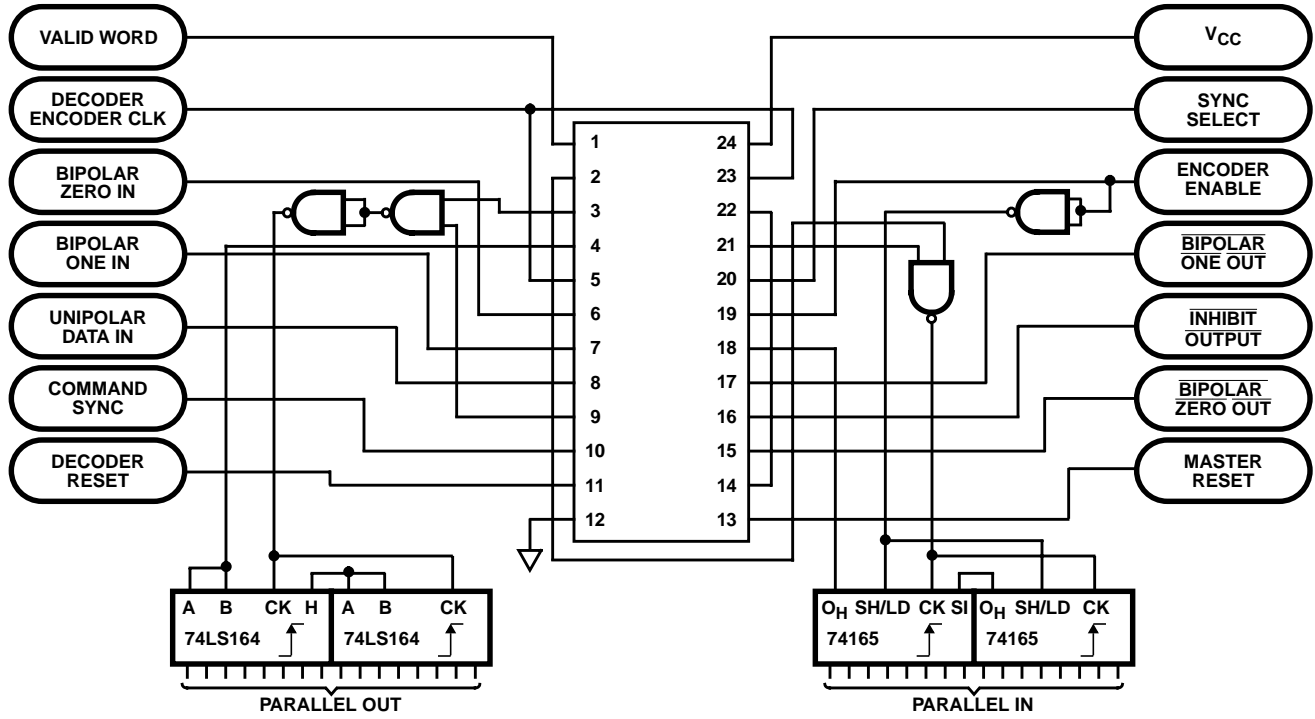


FIGURE 3.

Typical Timing Diagrams for a Manchester Encoded UART

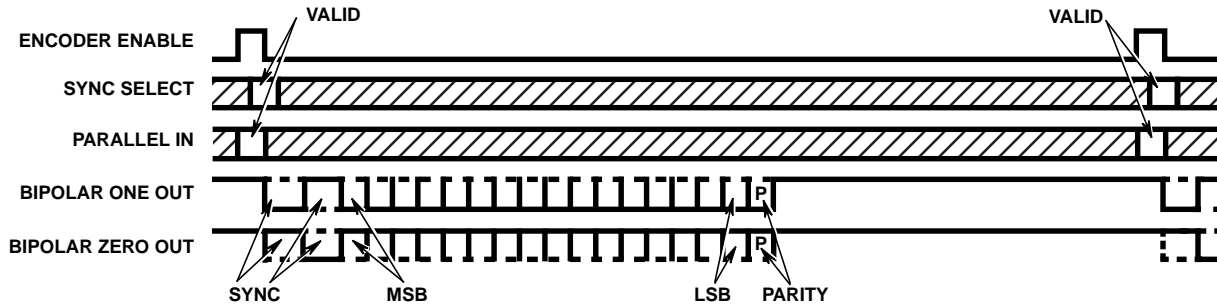


FIGURE 4. ENCODER TIMING

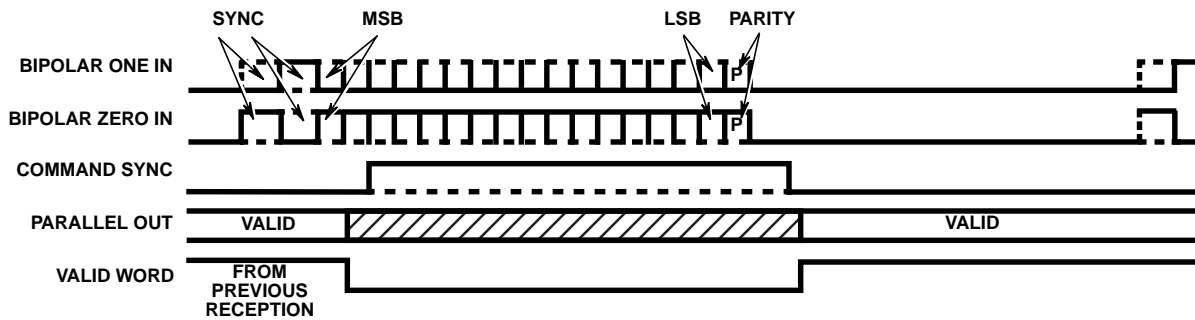


FIGURE 5. DECODER TIMING

MIL-STD-1553

The 1553 standard defines a time division multiplexed data bus for application within aircraft. The bus is defined to be bipolar, and encoded in a Manchester II format, so no DC component appears on the bus. This allows transformer coupling and excellent isolation among systems and their environment.

The HD-15530 supports the full bipolar configuration, assuming a bus driver configuration similar to that in Figure 1. Bipolar inputs from the bus, like Figure 2, are also accommodated.

The signaling format in MIL-STD-1553 is specified on the assumption that the network of 32 or fewer terminals are controlled by a central control unit by means of Command

Words. Terminals respond with Status Words. Each word is preceded by a synchronizing pulse, and followed by parity bit, occupying a total of 20μs. The word formats are shown in Figure 4. The special abbreviations are as follows:

- P Parity, which is defined to be odd, taken across all 17 bits.
- R/T Receive on logical zero, transmit on ONE.
- ME Message Error if logical 1.
- TF Terminal Flat, if set, calls for controller to request self-test data.

The paragraphs above are intended only to suggest the content of MIL-STD-1553, and do not completely describe its bus requirements, timing or protocols.

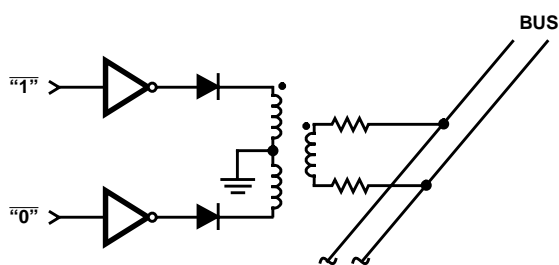


FIGURE 6. SIMPLIFIED MIL-STD-1553 DRIVER

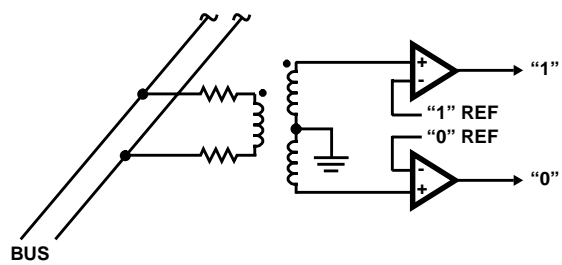


FIGURE 7. SIMPLIFIED MIL-STD-1553 RECEIVER

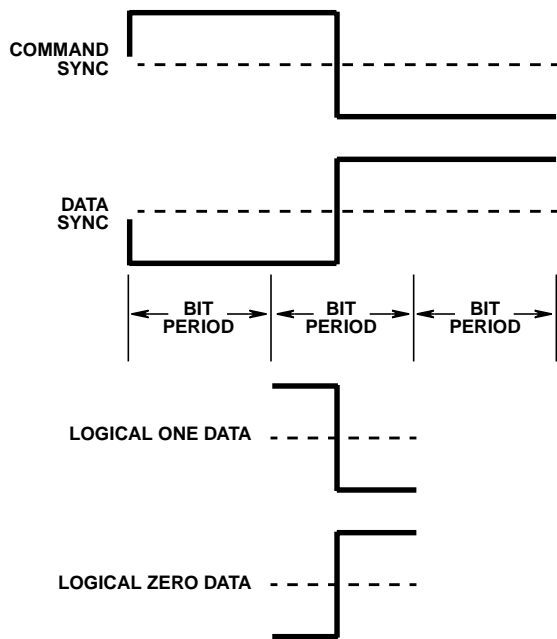
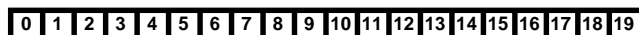
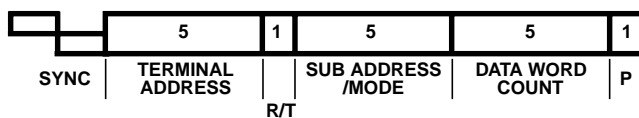


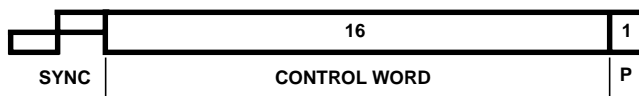
FIGURE 8. MIL-STD-1553 CHARACTER FORMATS



COMMAND WORD (FROM CONTROLLER TO TERMINAL)



DATA WORD (SENT EITHER DIRECTION)



STATUS WORD (FROM TERMINAL TO CONTROLLER)

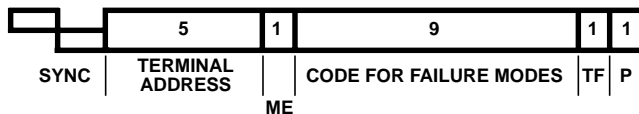


FIGURE 9. MIL-STD-1553 WORD FORMATS

NOTE: This page is a summary of MIL-STD-1553 and is not intended to describe the operation of the HD-15530.

HD-15530

Absolute Maximum Ratings

Supply Voltage +7.0V
 Input, Output or I/O Voltage GND-0.3V to $V_{CC} + 0.3V$
 ESD Classification Class 1

Operating Conditions

Supply Voltage +4.5V to +5.5V
 Temperature Range (T_A)
 HD-15530-9 -40°C to +85°C
 HD-15530-8 -55°C to +125°C
 Encoder/Decoder Clock Rise Time 8ns Max
 Encoder/Decoder Clock Fall Time 8ns Max
 Sync Transition Span (TD2) 18 TDC Typ (Note 1)
 Short Data Transition Span (TD4) 6 TDC Typ (Note 1)
 Long Data Transition Span (TD5) 12 TDC Typ (Note 1)

CAUTION: Stresses above those listed in "Absolute Maximum Ratings" may cause permanent damage to the device. This is a stress only rating and operation of the device at these or any other conditions above those indicated in the operational sections of this specification is not implied.

Thermal Information

| | | |
|--|----------------------|----------------------|
| Thermal Resistance (Typical) | θ_{JA} (°C/W) | θ_{JC} (°C/W) |
| CERDIP Package | 55 | 12 |
| CLCC Package | 65 | 14 |
| Plastic DIP Package | 60 | N/A |
| Maximum Junction Temperature | | |
| Ceramic Package | | +175°C |
| Plastic Package | | +150°C |
| Maximum Storage Temperature Range | | -65°C to +150°C |
| Maximum Lead Temperature (Soldering 10s) | | +300°C |

Die Characteristics

Gate Count 456 Gates

DC Electrical Specifications $V_{CC} = 5V \pm 10\%$, $T_A = -40^\circ C$ to $+85^\circ C$ (HD-15530-9)
 $T_A = -55^\circ C$ to $+125^\circ C$ (HD-15530-8)

| PARAMETER | SYMBOL | LIMITS | | TEST CONDITIONS | UNITS |
|--------------------------------|------------|----------------|--------------|--|---------|
| | | MIN | MAX | | |
| Input LOW Voltage | V_{IL} | - | $0.2 V_{CC}$ | $V_{CC} = 4.5V$ and $5.5V$ | V |
| Input HIGH Voltage | V_{IH} | $0.7 V_{CC}$ | - | $V_{CC} = 4.5V$ and $5.5V$ | V |
| Input LOW Clock Voltage | V_{ILC} | - | GND +0.5 | $V_{CC} = 4.5V$ and $5.5V$ | V |
| Input HIGH Clock Voltage | V_{IHC} | $V_{CC} - 0.5$ | - | $V_{CC} = 4.5V$ and $5.5V$ | V |
| Output LOW Voltage | V_{OL} | - | 0.4 | $I_{OL} = 1.8mA$ (Note 2), $V_{CC} = 4.5V$ | V |
| Output HIGH Voltage | V_{OH} | 2.4 | - | $I_{OH} = -3mA$ (Note 2), $V_{CC} = 4.5V$ | V |
| Input Leakage Current | I_I | -1.0 | +1.0 | $V_I = GND$ or V_{CC} , $V_{CC} = 5.5V$ | μA |
| Standby Supply Current | I_{CCSB} | - | 2 | $V_{IN} = V_{CC} = 5.5V$ Output Open | mA |
| Operating Power Supply Current | I_{CCOP} | - | 10 | $V_{CC} = 5.5V$, $V_{IN} = V_{CC}$, $f = 15MHz$, Outputs Open | mA |
| Function Test | F_T | - | - | (Note 3) | - |

NOTES:

1. TDC = Decoder clock period = 1/FDC
2. Interchanging of force and sense conditions is permitted.
3. Tested as follows: $f = 15MHz$, $V_{IH} = 70\% V_{CC}$, $V_{IL} = 20\% V_{CC}$, $C_L = 50pF$, $V_{OH} \geq 1.5V$ and $V_{OL} \leq 1.5V$.

Capacitance $T_A = +25^\circ C$; Frequency = 1MHz

| SYMBOL | PARAMETER | TYPICAL | UNITS | CONDITIONS |
|----------|--------------------|---------|-------|---|
| C_{IN} | Input Capacitance | 15 | pF | All measurements are referenced to device GND |
| C_O | Output Capacitance | 15 | pF | |

HD-15530

AC Electrical Specifications $V_{CC} = 5V \pm 10\%$, $T_A = -40^\circ\text{C}$ to $+85^\circ\text{C}$ (HD-15530-9)
 $T_A = -55^\circ\text{C}$ to $+125^\circ\text{C}$ (HD-15530-8)

| PARAMETER | SYMBOL | (NOTE 2) TEST CONDITIONS | LIMITS | | UNITS |
|---------------------------|--------|---|----------------------|----------------------|-------|
| | | | MIN | MAX | |
| ENCODER TIMING | | | | | |
| Encoder Clock Frequency | FEC | $V_{CC} = 4.5V$ and $5.5V$, $C_L = 50pF$ | - | 15 | MHz |
| Send Clock Frequency | FESC | $V_{CC} = 4.5V$ and $5.5V$, $C_L = 50pF$ | - | 2.5 | MHz |
| Encoder Data Rate | FED | $V_{CC} = 4.5V$ and $5.5V$, $C_L = 50pF$ | - | 1.25 | MHz |
| Master Reset Pulse Width | TMR | $V_{CC} = 4.5V$ and $5.5V$, $C_L = 50pF$ | 150 | - | ns |
| Shift Clock Delay | TE1 | $V_{CC} = 4.5V$ and $5.5V$, $C_L = 50pF$ | - | 125 | ns |
| Serial Data Setup | TE2 | $V_{CC} = 4.5V$ and $5.5V$, $C_L = 50pF$ | 75 | - | ns |
| Serial Data Hold | TE3 | $V_{CC} = 4.5V$ and $5.5V$, $C_L = 50pF$ | 75 | - | ns |
| Enable Setup | TE4 | $V_{CC} = 4.5V$ and $5.5V$, $C_L = 50pF$ | 90 | - | ns |
| Enable Pulse Width | TE5 | $V_{CC} = 4.5V$ and $5.5V$, $C_L = 50pF$ | 100 | - | ns |
| Sync Setup | TE6 | $V_{CC} = 4.5V$ and $5.5V$, $C_L = 50pF$ | 55 | - | ns |
| Sync Pulse Width | TE7 | $V_{CC} = 4.5V$ and $5.5V$, $C_L = 50pF$ | 150 | - | ns |
| Send Data Delay | TE8 | $V_{CC} = 4.5V$ and $5.5V$, $C_L = 50pF$ | 0 | 50 | ns |
| Bipolar Output Delay | TE9 | $V_{CC} = 4.5V$ and $5.5V$, $C_L = 50pF$ | - | 130 | ns |
| Enable Hold | TE10 | $V_{CC} = 4.5V$ and $5.5V$, $C_L = 50pF$ | 10 | - | ns |
| Sync Hold | TE11 | $V_{CC} = 4.5V$ and $5.5V$, $C_L = 50pF$ | 95 | - | ns |
| DECODER TIMING | | | | | |
| Decoder Clock Frequency | FDC | $V_{CC} = 4.5V$ and $5.5V$, $C_L = 50pF$ | - | 15 | MHz |
| Decoder Data Rate | FDD | $V_{CC} = 4.5V$ and $5.5V$, $C_L = 50pF$ | - | 1.25 | MHz |
| Decoder Reset Pulse Width | TDR | $V_{CC} = 4.5V$ and $5.5V$, $C_L = 50pF$ | 150 | - | ns |
| Decoder Reset Setup Time | TDRS | $V_{CC} = 4.5V$ and $5.5V$, $C_L = 50pF$ | 75 | - | ns |
| Decoder Reset Hold Time | TDRH | $V_{CC} = 4.5V$ and $5.5V$, $C_L = 50pF$ | 10 | - | ns |
| Master Reset Pulse | TMR | $V_{CC} = 4.5V$ and $5.5V$, $C_L = 50pF$ | 150 | - | ns |
| Bipolar Data Pulse Width | TD1 | $V_{CC} = 4.5V$ and $5.5V$, $C_L = 50pF$ | TDC + 10 (Note 1) | - | ns |
| One Zero Overlap | TD3 | $V_{CC} = 4.5V$ and $5.5V$, $C_L = 50pF$ | - | TDC - 10 (Note 1) | ns |
| Sync Delay (ON) | TD6 | $V_{CC} = 4.5V$ and $5.5V$, $C_L = 50pF$ | -20 | 110 | ns |
| Take Data Delay (ON) | TD7 | $V_{CC} = 4.5V$ and $5.5V$, $C_L = 50pF$ | 0 | 110 | ns |
| Serial Data Out Delay | TD8 | $V_{CC} = 4.5V$ and $5.5V$, $C_L = 50pF$ | - | 80 | ns |
| Sync Delay (OFF) | TD9 | $V_{CC} = 4.5V$ and $5.5V$, $C_L = 50pF$ | 0 | 110 | ns |
| Take Data Delay (OFF) | TD10 | $V_{CC} = 4.5V$ and $5.5V$, $C_L = 50pF$ | 0 | 110 | ns |
| Valid Word Delay | TD11 | $V_{CC} = 4.5V$ and $5.5V$, $C_L = 50pF$ | 0 | 110 | ns |

NOTES:

1. TDC = Decoder clock period = $1/FDC$
2. AC Testing as follows: Input levels: $V_{IH} = 70\% V_{CC}$, $V_{IL} = 20\% V_{CC}$; Input rise/fall times driven at 1ns/V; Timing Reference levels: 1.5V; Output load: $C_L = 50pF$.

Timing Waveforms

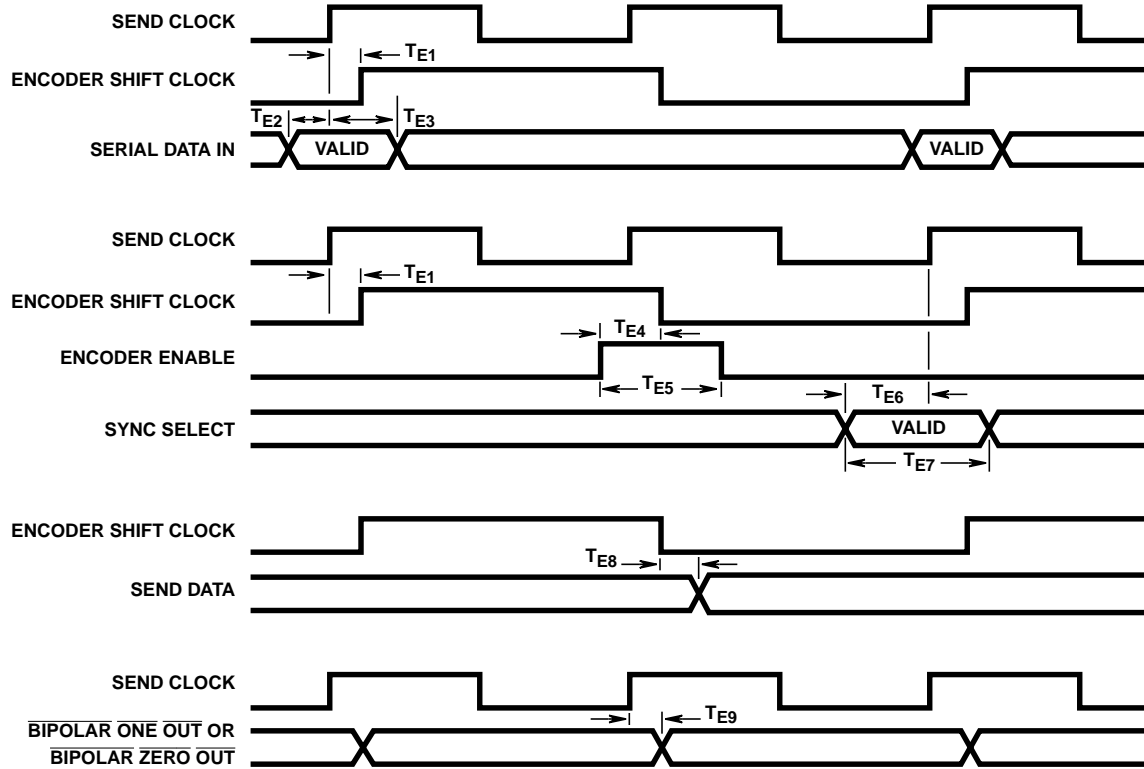


FIGURE 10. ENCODER TIMING

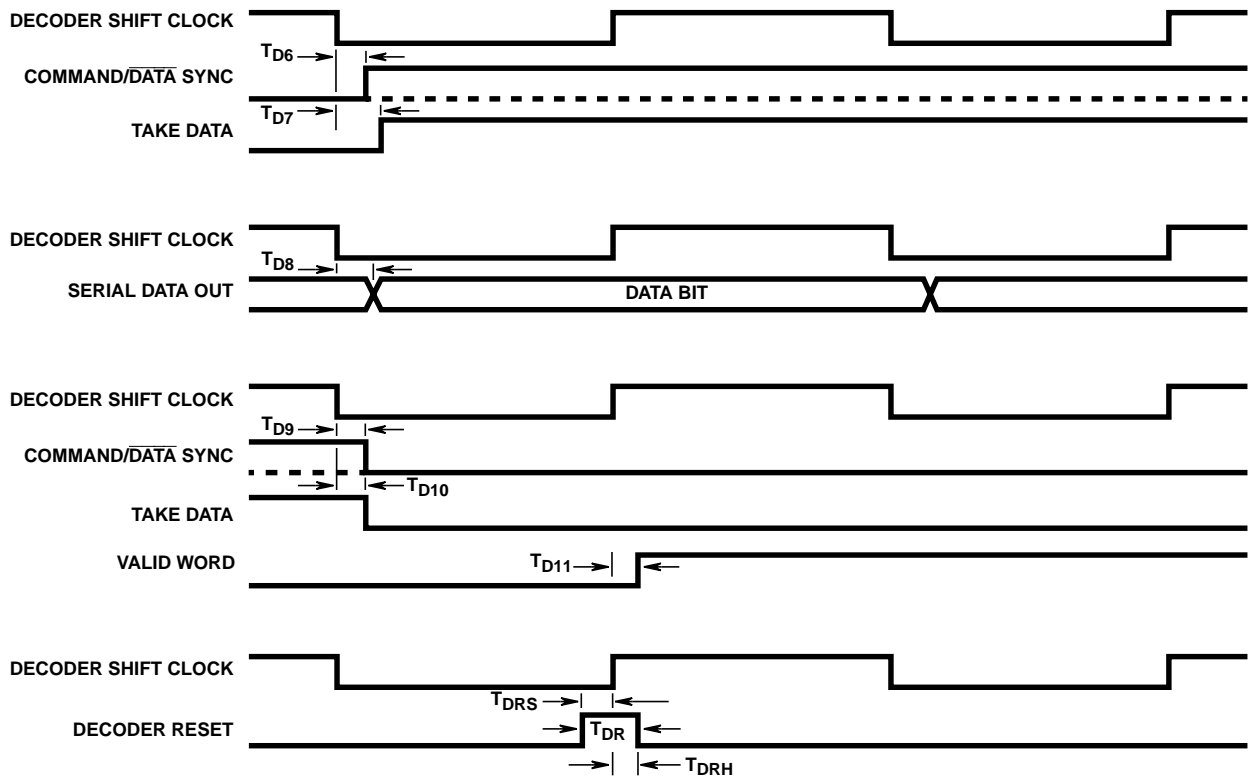


FIGURE 11. DECODER TIMING

Timing Waveforms (Continued)

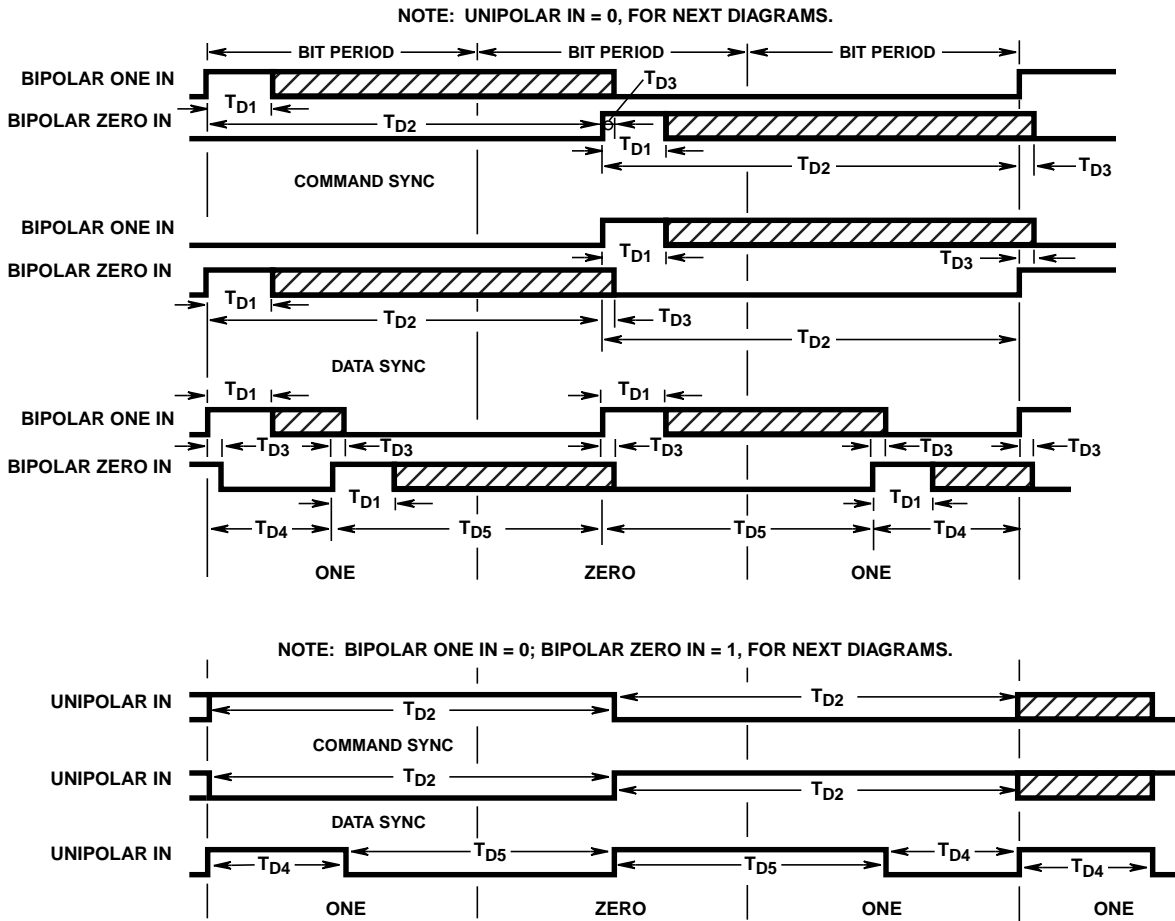
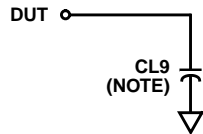


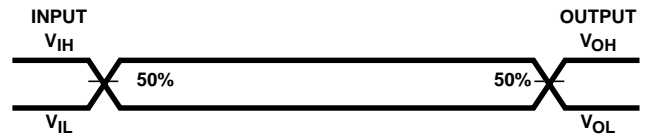
FIGURE 12. DECODER TIMING

Test Load Circuit



NOTE: Includes stray and jig capacitance.

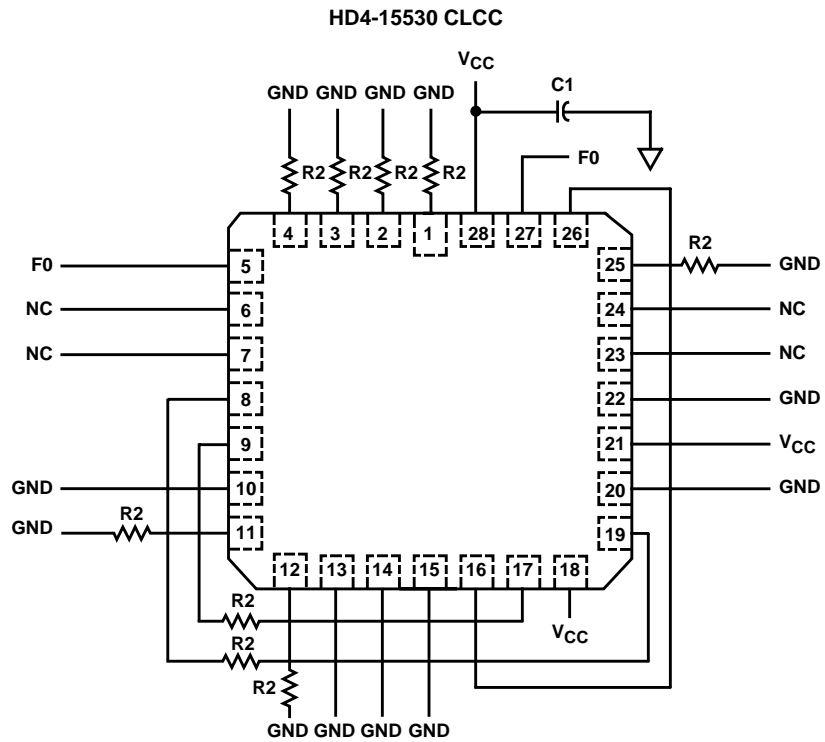
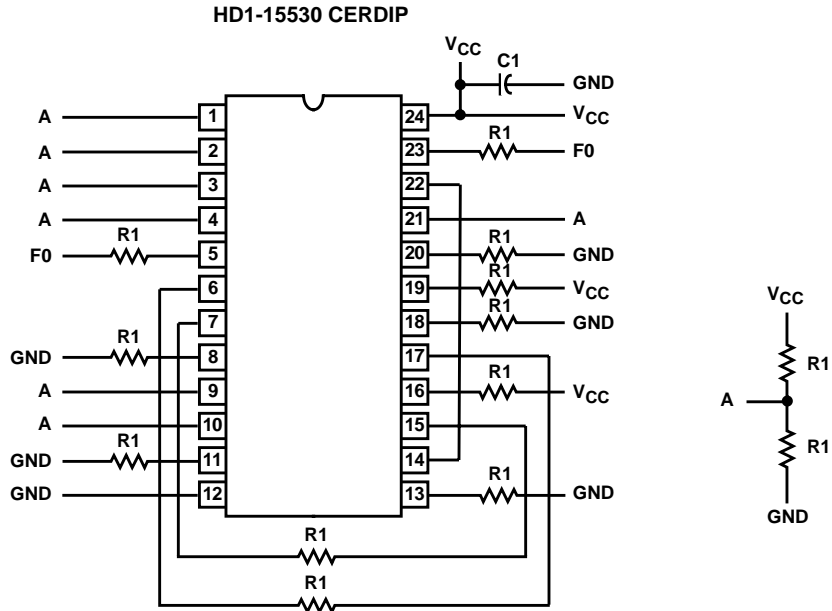
AC Testing Input, Output Waveform



AC Testing: All input signals must switch between V_{IL} and V_{IH} . Input rise and fall times are driven at 1ns per volt.

HD-15530

Burn-In Circuits



NOTES:

1. $V_{CC} = 5.5V \pm 0.5V$
2. $V_{IH} = 4.5V \pm 10\%$
3. $V_{IL} = -0.2V + 0.4V$
4. $R1 = 47K\Omega \pm 5\%$
5. $R2 = 1.8K\Omega \pm 5\%$
6. $F0 = 100KHz \pm 10\%$
7. $C1 = 0.01\mu F$ Min.

HD-15530

Die Characteristics

DIE DIMENSIONS:

155 x 195 x 19mils

METALLIZATION:

Type: Si-Al

Thickness: $11\text{k}\text{\AA} \pm 2\text{k}\text{\AA}$

GLASSIVATION:

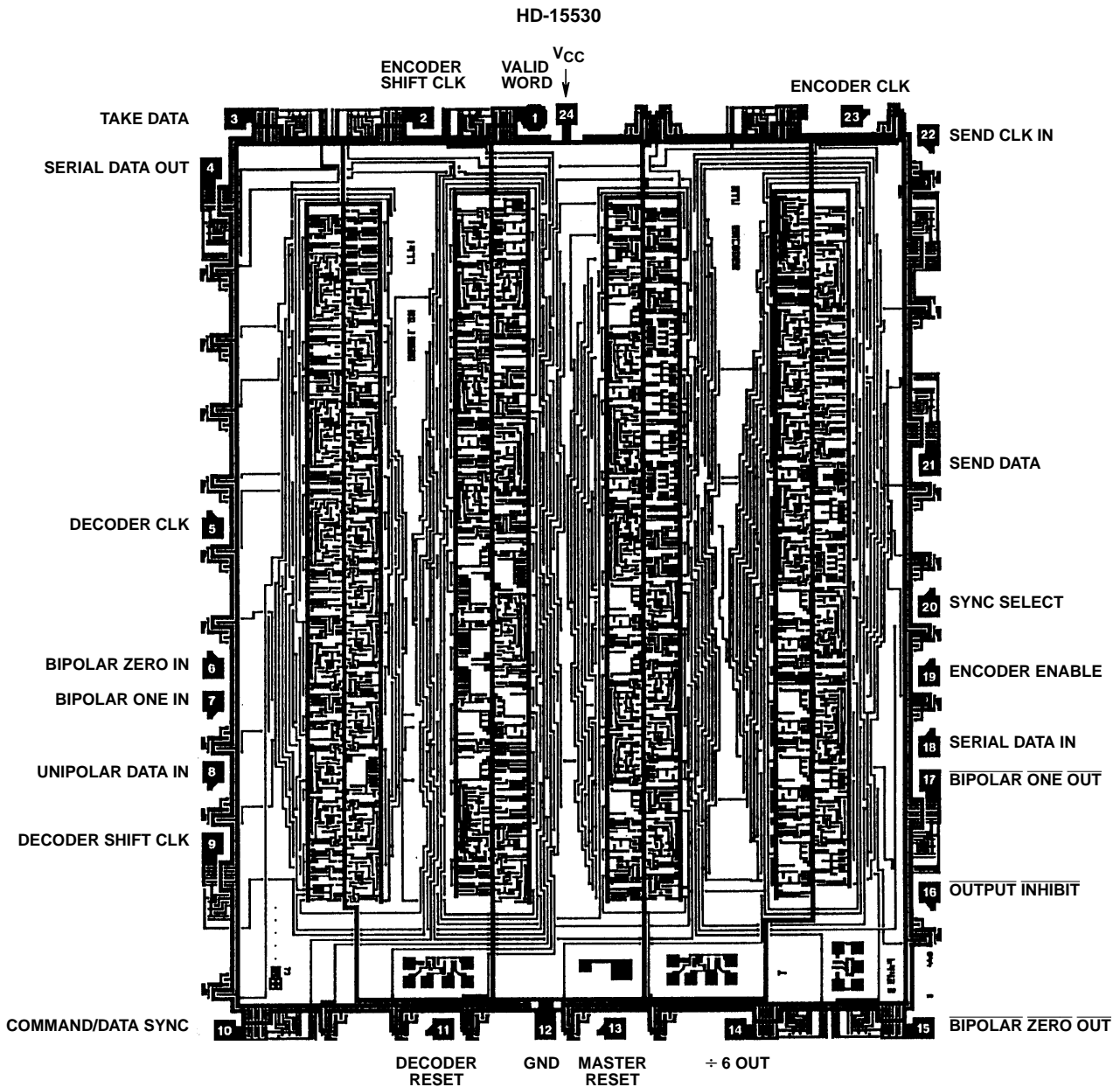
Type: SiO_2

Thickness: $8\text{k}\text{\AA} \pm 1\text{k}\text{\AA}$

WORST CASE CURRENT DENSITY:

$1.8 \times 10^5 \text{ A/cm}^2$

Metallization Mask Layout



All Intersil semiconductor products are manufactured, assembled and tested under **ISO9000** quality systems certification.

Intersil products are sold by description only. Intersil Corporation reserves the right to make changes in circuit design and/or specifications at any time without notice. Accordingly, the reader is cautioned to verify that data sheets are current before placing orders. Information furnished by Intersil is believed to be accurate and reliable. However, no responsibility is assumed by Intersil or its subsidiaries for its use; nor for any infringements of patents or other rights of third parties which may result from its use. No license is granted by implication or otherwise under any patent or patent rights of Intersil or its subsidiaries.

For information regarding Intersil Corporation and its products, see web site <http://www.intersil.com>